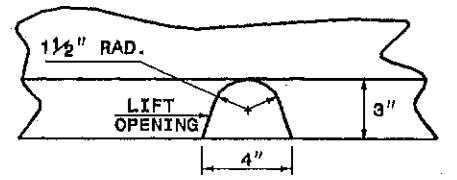
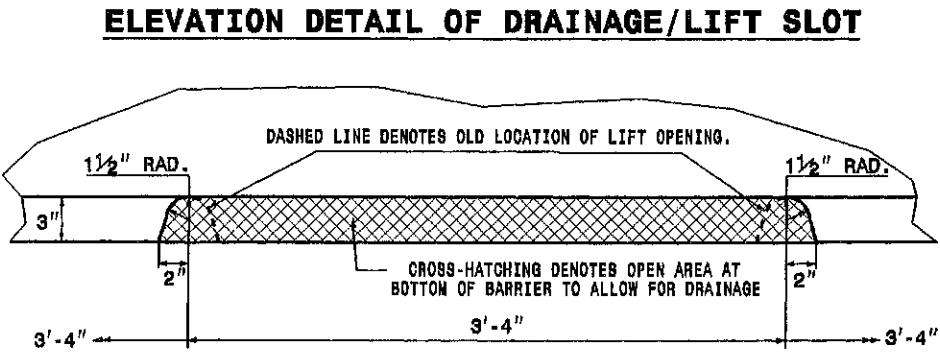
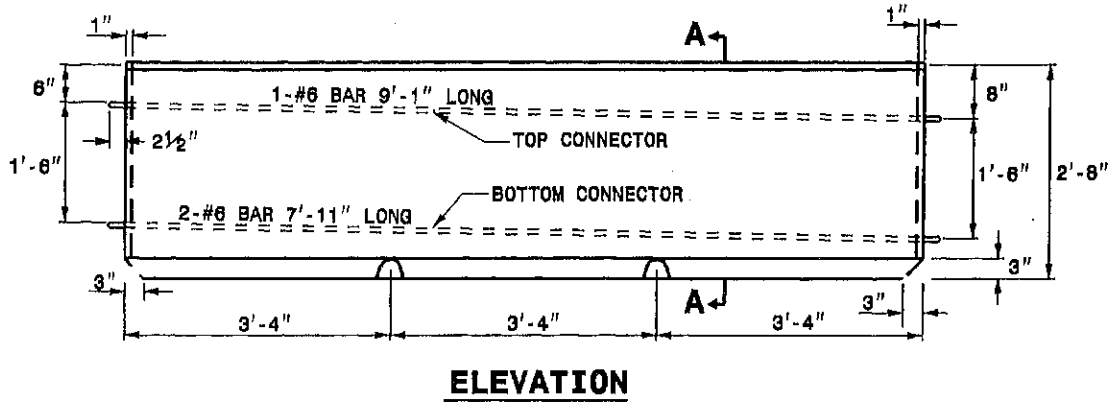
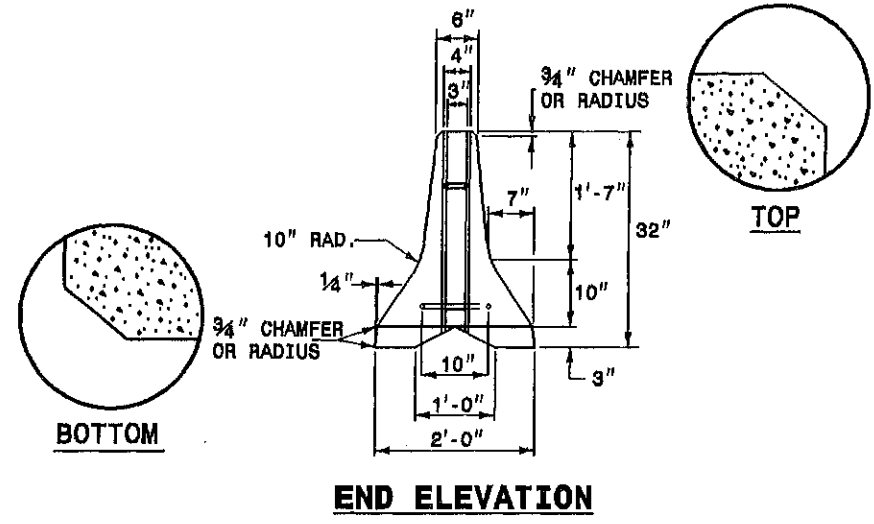
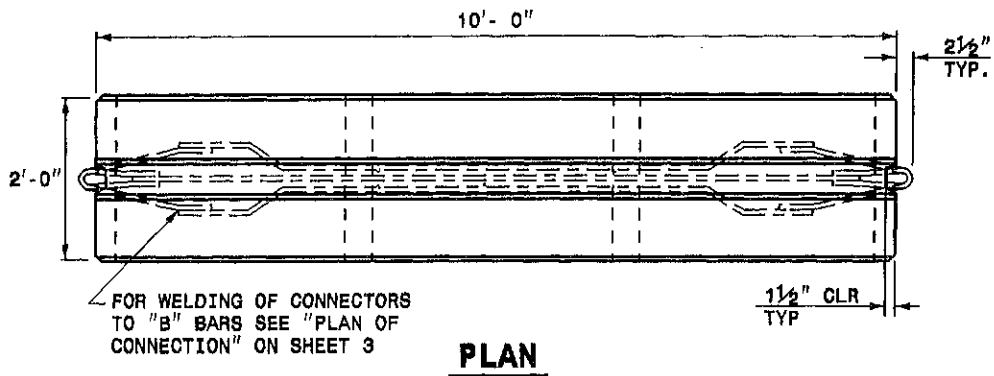
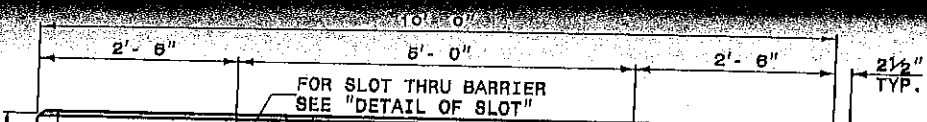


1-02



- GENERAL NOTES**
- THE DRAINAGE/LIFT SLOT SHOWN IS A MODIFICATION OF THE LIFT OPENINGS, ALL OTHER DESIGN CRITERIA SUCH AS REINFORCEMENT BARS ETC. ARE THE SAME AS SHOWN ON THE STANDARD DRAWING.
  - BARRIER WITH DRAINAGE/LIFT SLOT IS INTENDED TO BE USED IN AREAS WHERE ROADWAY SURFACE WATER RUNOFF CAUSES EXCESS PUDDLING ADJACENT TO THE TEMPORARY BARRIER. INSTALL THE BARRIER AS SHOWN IN THE PLANS, OR AS DIRECTED BY THE ENGINEER.
  - DRAINAGE/SLOT CAN BE USED WITH ANCHORED "PORTABLE CONCRETE BARRIER".



1-02