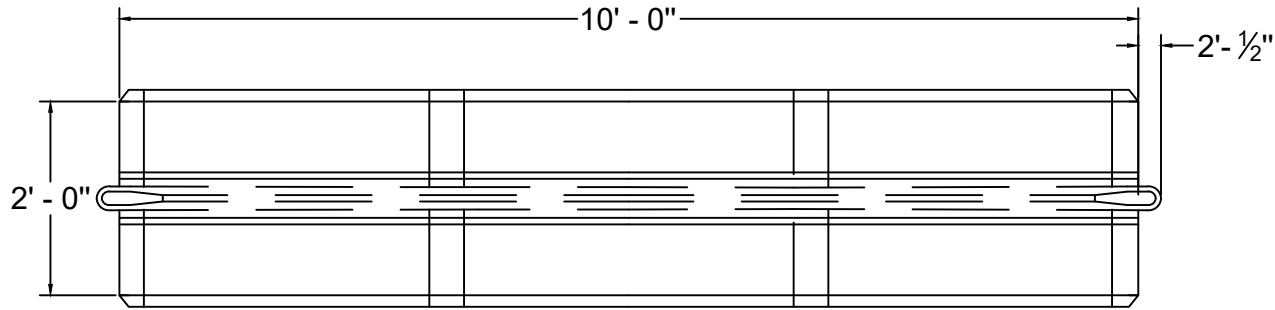




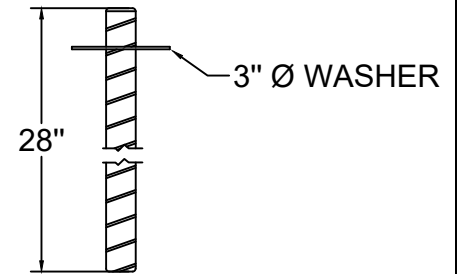
**EAGLE PRECAST**  
A Division of Curtin Co

**10' PORTABLE CONCRETE BARRIER  
NON STANDARD**

NC,  
7/27/2022  
REV. 1

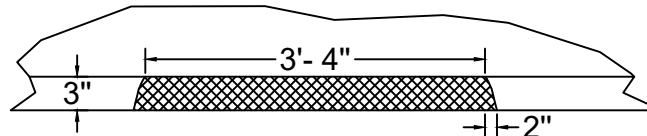
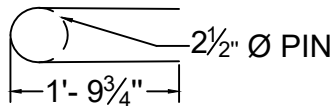


**PLAN**

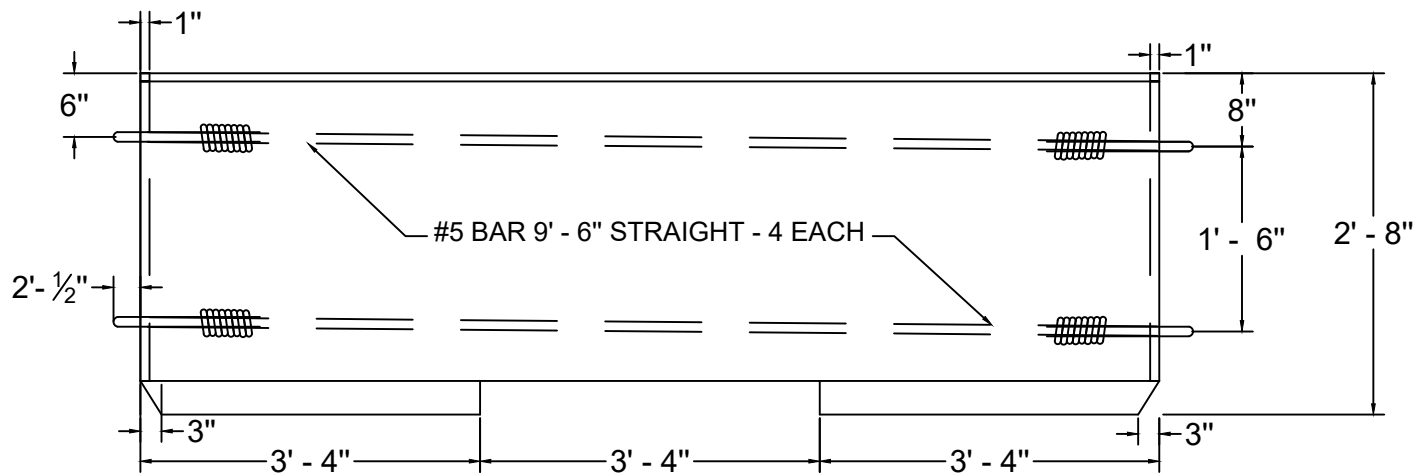


**#8 REINFORCING  
STEEL BAR  
CONNECTOR PIN**

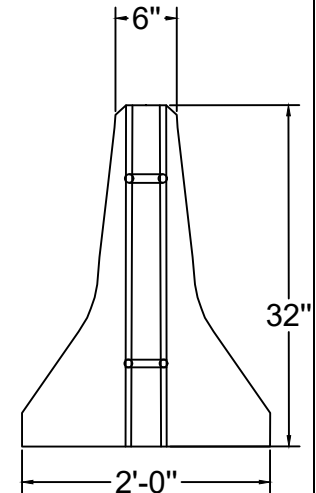
**#5 LOOP**



**PART ELEVATION OF LIFT OPENING**



**ELEVATION**



**END ELEVATION**